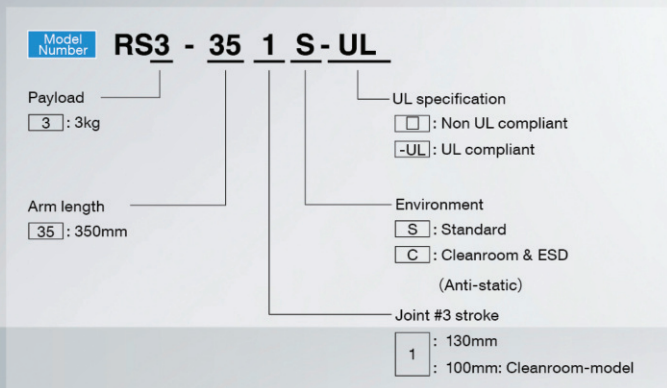


RS3

Folding rotating arm enables large working area in limited space

- 350mm arm has effective reach of 494mm in four directions
- All-direction access for greater freedom in workcell layout
- Enables use of large pallets without requiring large robot installation footprint



Specifications

Model name		RS3
Model number		RS3-351□
Arm length	Arm #1, #2	350 mm
	Rated	1 kg
Payload	Maximum	3 kg
	Repeatability	
Repeatability	Joints #1, #2	±0.01 mm
	Joint #3	±0.01 mm
	Joint #4	±0.01 deg
Standard cycle time ¹		0.34 sec
Max. operating speed	Joints #1, #2	6237 mm/sec
	Joint #3	1100 mm/sec
	Joint #4	2600 deg/sec
Joint #4 allowable moment of inertia ²	Rated	0.005 kg·m ²
	Maximum	0.05 kg·m ²
Joint #3 down force		150 N
Installation environment		Standard/Cleanroom ³ &ESD
Mounting type		Ceiling
Weight (cables not included)		17 kg
Applicable Controller		RC700-A
Installed wire for customer use		15 Pin D-Sub
Installed pneumatic tube for customer use		Φ6 mm x 2, Φ4 mm x 1 : 0.59 MPa (6 kgf/cm ²)
Power		AC200-240 V Single phase
Power Consumption ⁴		1.2 kVA
Cable length		3 m/5 m/10 m/15 m/20 m
Safety standard		CE, KC, UL

¹: Cycle time based on round-trip arch motion (300mm horizontal, 25mm vertical) with 1kg payload (path coordinates optimized for maximum speed) .

²: When payload center of gravity is aligned with Joint #4 ; if not aligned with Joint #4, set parameters using INERTIA command.

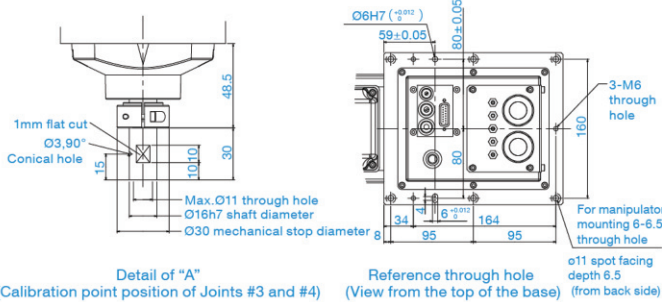
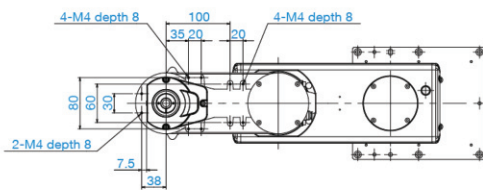
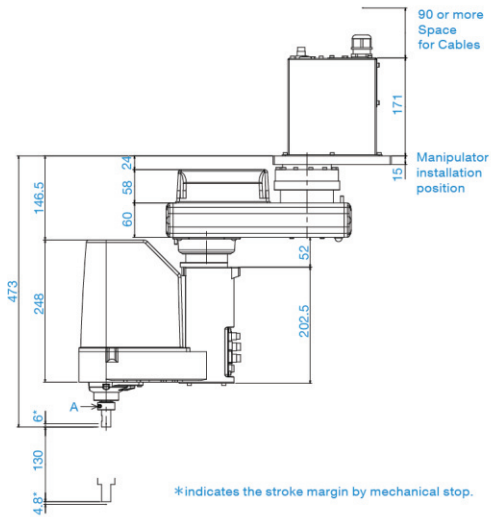
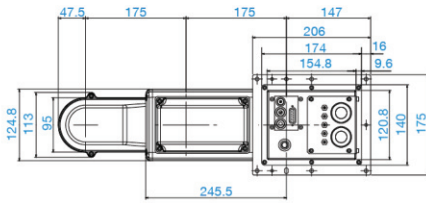
³: Complies with ISO Class 3 (ISO14644-1) and older Class 1 (less than 10 0.1 m particles per 28,317cm³:1cft) cleanroom standards.

⁴: Varies according to operating environment and program.

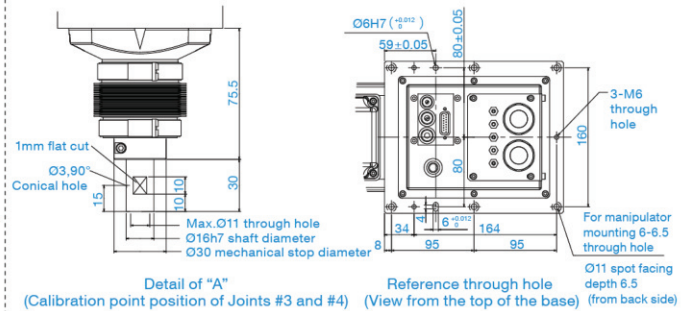
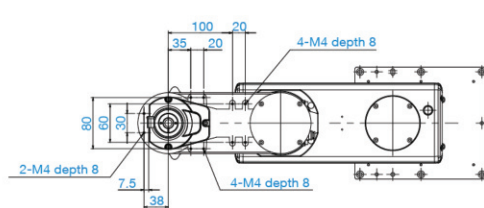
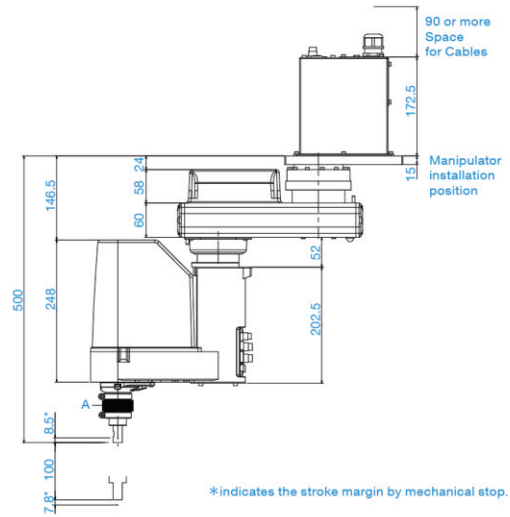
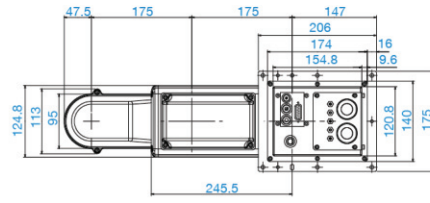
Outer Dimensions (Ceiling Mounting)

[Unit: mm]

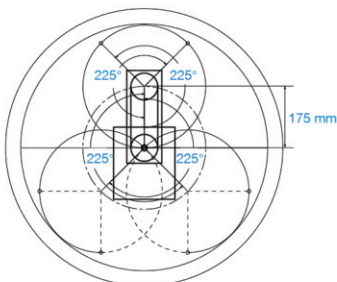
Standard-model



Cleanroom-model



Motion Range (Ceiling Mounting)



Model	RS3-351□
Arm #1 Length (mm)	175
Arm #2 Length (mm)	175
Joint #1 Motion range (°)	±225
Joint #2 Motion range (°)	±225